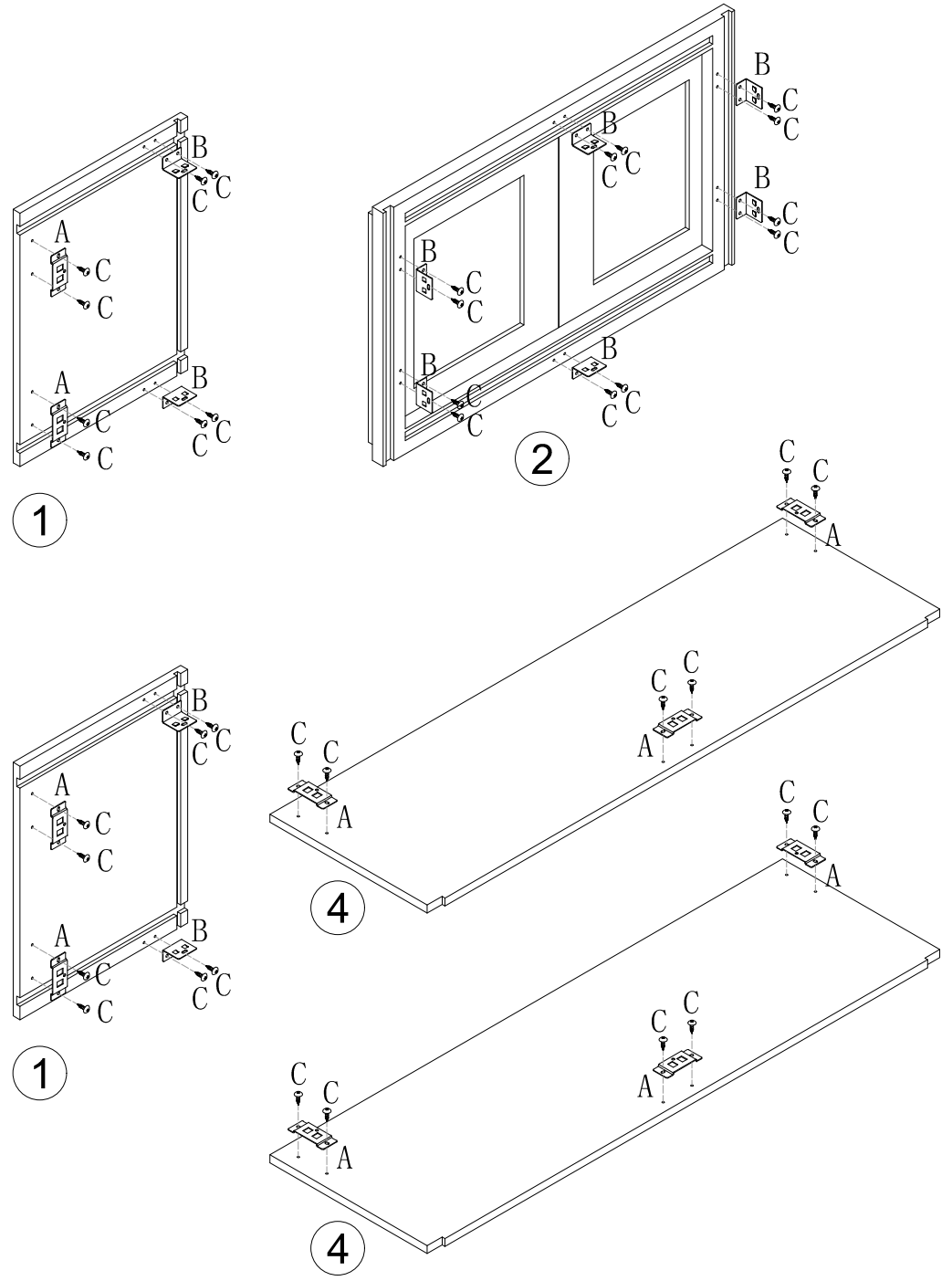
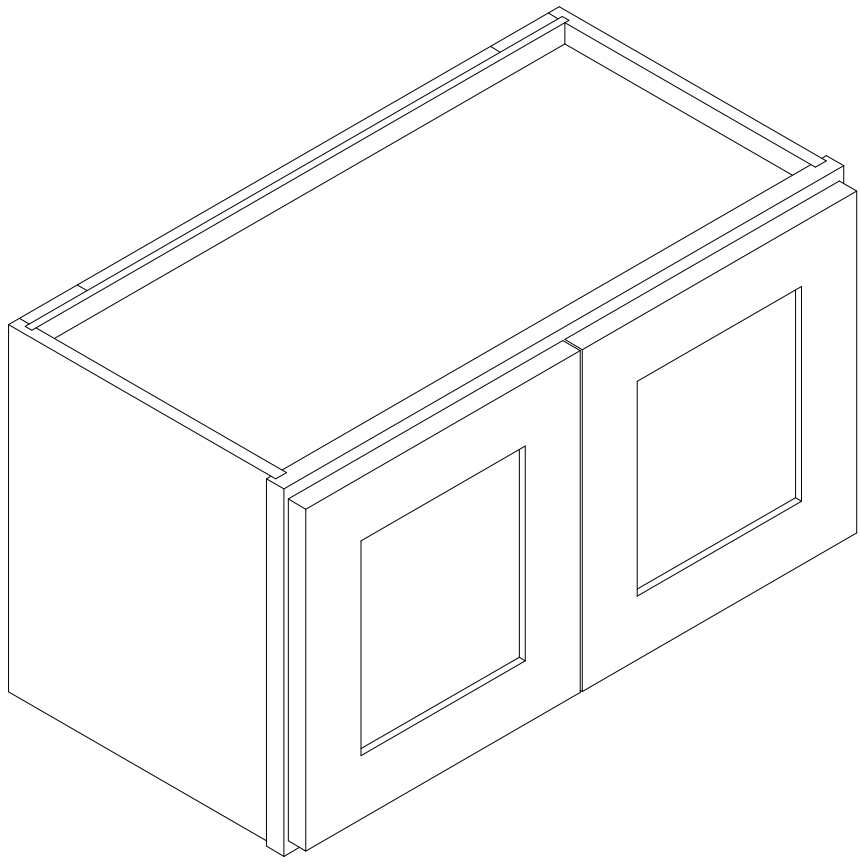


# ASSEMBLY INSTRUCTIONS

W3612/W3615/RW3612/RW3615

## Step 1

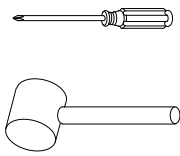


### Parts list

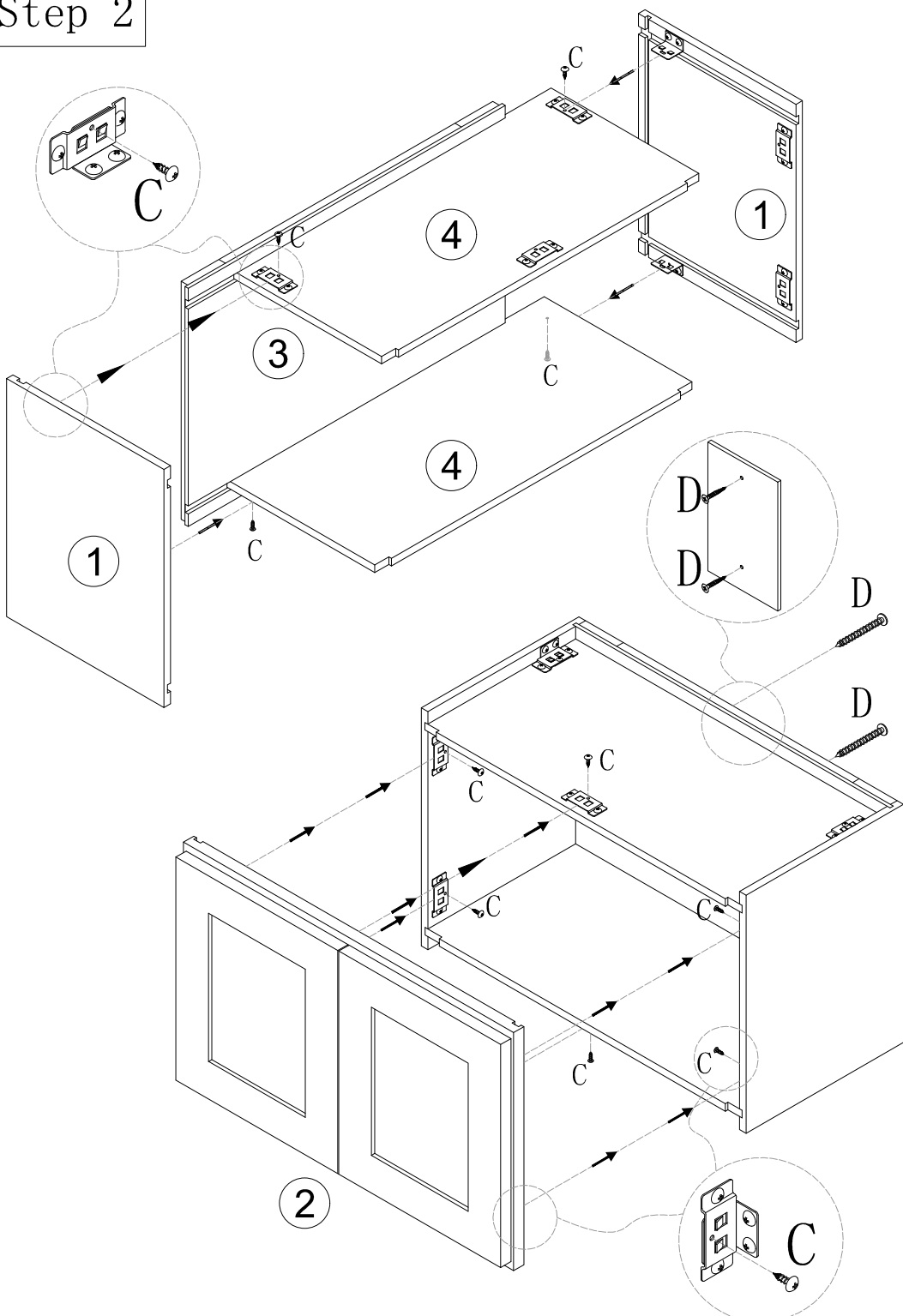
NO.	Parts	QTY
A		10
B		10
C		50

NO.	Parts	QTY
D		2

Tools  
(required but not provided)



## Step 2



## Finished

